



# REQUEST FOR PROPOSAL (RFP)

FOR  
LEASE OF UNIT FROM COMMERCIAL BLOCK "B" FOR THE  
PROVISION OF A CAFÉ/ RESTAURANT ALONG WITH HDC  
STAFF CANTEEN

**PROPOSAL REFERENCE NUMBER:**

HDC(161)-REM/IU/2024/46

**ANNOUNCEMENT DATE:**

12<sup>th</sup> March 2024

**PROPOSAL SUBMISSION DEADLINE:**

26<sup>th</sup> March 2024

**TABLE OF CONTENTS**

SECTION I. INSTRUCTIONS TO PROPONENTS (ITP).....3

SECTION II. RFP DATA SHEET .....16

SECTION III. LESSOR’S REQUIREMENTS .....18

    1. SCOPE OF WORK .....18

    2. HDC Staff Canteen Menu.....18

    3. Facilities available at Staff Canteen.....18

    4. BUSINESS MODEL.....18

    5. ESTIMATED INVESTMENT COST .....18

    6. UNIT DETAILS .....19

        Unit Number.....19

        Usage .....19

        Unit Area (sqft).....19

SECTION IV. QUALIFICATION AND EVALUATION CRITERIA .....20

    1. QUALIFICATION CRITERIA.....20

    2. EVALUATION CRITERIA .....21

SECTION V. BUSINESS PROPOSAL REQUIREMENT.....23

    1. BID SECURITY AS IN FORM 01.....23

    2. BANK GUARANTEE AS IN FORM 02.....23

    3. LETTER OF PROPOSAL AS IN FORM 03 .....23

    4. LEGAL DOCUMENTS: .....23

        4.1. Copy of Business Registration Certificate / Profile information Sheet.....23

        4.2. For Partnership; Partnership Deed / Agreement .....23

        4.3. For Company; Memorandum and Articles of Association of the Company.....23

        4.4. For Company; Board Resolution of the Company confirming Board of Director’s approval for proposed work.....23

        4.5. Information of the Authorized Representative as in Form 04 .....23

        4.6. Declaration of Immediate Family Members as in Form 08.....23

        4.7. Power of Attorney to sign on behalf of the Proponent in accordance with ITP  
15.2 23

        4.8. In the case of a Proposal submitted by a Joint Venture (JV), the JV agreement or letter of intent to enter into JV including but not limited to scope of works to be

executed by respective partners and equity share percentage of the respective partners .....23

4.9. Company Profile Information Sheet issued by Ministry of Economic Development.....23

5. FINANCIAL DOCUMENTS .....23

6. Proposed Menu for HDC Canteen.....25

7. Experience .....25

8. Business Plan .....25

9. PROPOSAL CHECKLIST .....25

SECTION VI. CONTRACT TERMS.....36

SECTION VII. DRAWINGS AND GUIDELINES.....42

1. DRAWINGS.....42

**SECTION I. INSTRUCTIONS TO PROPONENTS (ITP)**

<b>A. GENERAL</b>		
<b>1. Scope of Proposal</b>	1.1	<p>The Lessor;</p> <p>HOUSING DEVELOPMENT CORPORATION LIMITED an incorporated limited liability company operating under the registration number C793/2008 and having its registered office at HDC Building, 3rd Floor, Hulhumalé Republic of Maldives (hereinafter called and referred to as "the Lessor,") issues this Request for Proposal (RFP). The name of the Project and Proposal Reference Number of this RFP is <b>provided in the RFP Data Sheet.</b></p>
	1.2	<p>Throughout this RFP Documents:</p> <p>(a) the term "in writing" means communicated in written form and delivered against receipt;</p> <p>(b) except where the context requires otherwise, words indicating the singular also include the plural and words indicating the plural also include the singular; and</p> <p>(c) "day" means calendar day.</p>
<b>2. Corrupt and Fraudulent Practices</b>	2.1	<p>It is a requirement of the Lessor that proponents, developers, contractors and their agents (whether declared or not), sub-contractors, sub-consultants, service providers or suppliers, and any personnel thereof, observe the highest standard of ethics during RFP process and execution of Works. In pursuance of this policy, the Lessor:</p> <p>(a) defines, for the purposes of this provision, the terms set forth below as follows:</p> <p>(i) "Corrupt practice" means the offering, giving, receiving, or soliciting of anything of value to influence the action of a public official in the procurement process or in contract execution; and</p> <p>(ii) "Fraudulent practice" means a misrepresentation of facts in order to influence a procurement process or the execution of a contract to the detriment of HDC, and includes collusive practice among Proponent (prior to or after Proposal submission) designed to establish Proposal prices at artificial noncompetitive levels and to deprive HDC of the benefits of free and open competition.</p>

		<p>(b) will reject a proposal for award if it determines that the proponent recommended for award, or any of its personnel, or its agents, or its sub-consultants, sub-contractors, service providers, suppliers and/or their employees, has, directly or indirectly, engaged in corrupt or fraudulent practices in competing for the contract in question.</p> <p>(c) will sanction a firm or individual, at any time including declaring such firm or individual ineligible, either indefinitely or for a stated period of time: to be awarded a contract from Lessor.</p> <p>(d) will terminate the contract after having given fourteen (14) days' notice to the Proponent.</p>
<p><b>3. Eligible Proponents</b></p>	<p>3.1</p>	<p>A Proponent must be a registered business (sole trader, partnership or limited liability company) – subject to ITP 3.2 and ITP 3.3.</p>
	<p>3.2</p>	<p><b>Unless otherwise specified in the RFP data sheet,</b> in case a Joint Venture (JV) is proposed by Proponent(s) the minimum percentage of equity share proportion of local partner(s) in a JV shall not apply.</p>
	<p>3.3</p>	<p>A Proponent shall not have a conflict of interest. Any Proponent found to have a conflict of interest shall be disqualified. A Proponent may be considered to have a conflict of interest for the purpose of this RFP process, if the Proponent:</p> <ul style="list-style-type: none"> <li>(a) directly or indirectly controls, is controlled by or is under common control with another Proponent;</li> <li>(b) receives or has received any direct or indirect subsidy from another Proponent; or</li> <li>(c) has a relationship with another Proponent, directly or through common third parties such as shareholders, and external financiers excluding financial institutions who fund for the project for more than one proponent, that puts it in a position to influence the proposal of another Proponent, or influence the decisions of the Lessor regarding this RFP process; or</li> <li>(d) submits more than one proposal for a unit in this RFP process by business entity. Participation by a Proponent in more than one Proposal will result in the disqualification of all Proposals in which such Proponent is involved.</li> </ul>

	3.4	A Proponent shall not be under suspension from proposal submission by the Lessor.
	3.5	A Proponent shall provide such evidence of eligibility satisfactory to the Lessor, as the Lessor shall reasonably request.
	3.6	Employees of HDC shall not be eligible to submit any proposals under this RFP
	3.7	<p>If a proponent has a relation with an employee within HDC, that is in a position to influence the proposal of the proponent, or influence the decisions of the Lessor regarding the RFP process, the proponent shall declare the relationship as per the Declaration Form in Section V.</p> <p>In case where the Proponent has not declared such information and any such information is revealed/identified at any stage of this RFP Process, Lessor has the right to disqualify the submitted proposal.</p>

**B. CONTENTS OF RFP DOCUMENTS**

<b>4. Sections of RFP Documents</b>	4.1	<p>The RFP Documents include all the Sections specified below, and should be read in conjunction with any Addenda issued in accordance with ITP 6.</p> <ul style="list-style-type: none"> <li>• Section I. Instructions to Proponents (ITP)</li> <li>• Section II. RFP Data Sheet</li> <li>• Section III. Lessor's Requirements</li> <li>• Section IV. Qualification and Evaluation Criteria</li> <li>• Section V. Business Proposal Requirement</li> <li>• Section VI. Contract Terms</li> <li>• Section VII. Drawings and Guidelines</li> </ul>
	4.2	<p>Unless obtained directly from the Lessor, the Lessor is not responsible for the completeness of the RFP Documents, responses to requests for clarification, or Addenda to the RFP Documents in accordance with ITP 6. In case of any contradiction, documents obtained directly by the Lessor shall prevail.</p>
	4.3	<p>The Proponent is expected to examine all instructions, forms, terms, and specifications in the RFP Documents. Failure to furnish all information and documentation required in RFP Documents as per ITP 4.1 may result in rejection of the proposal.</p>

<p><b>5. Clarification of RFP Documents, Pre-Proposal Meeting</b></p>	5.1	<p>A Proponent requiring any clarification of the RFP Documents shall contact the Lessor in writing at the Lessor’s address <b>specified in the RFP Data Sheet</b> or raise its enquiries during the Pre-Proposal Meeting, if provided for in accordance with ITP 5.2. The Lessor will respond in writing to any request for clarification, provided that such request is received no later than the enquiry deadline <b>specified in the RFP Data Sheet</b>. The Lessor shall promptly publish its response at the web page <b>specified in the RFP Data Sheet</b>. Should the clarification result in changes to the essential elements of the RFP Documents, the Lessor shall amend the RFP Documents following the procedure under ITP 6 and ITP 16.2.</p>
	5.2	<p>If so, <b>specified in the RFP Data Sheet</b>, the Proponent’s designated representative is invited to attend a pre-proposal meeting. The purpose of the meeting will be to provide information about the project, proposal procedures, clarify issues and to answer questions on any matter that may be raised at that stage.</p>
	5.3	<p>Minutes of the pre-proposal meeting, if applicable, including the text of the questions asked by Proponents, without identifying the source, and the responses given, together with any responses prepared after the meeting, will be published promptly in webpage in accordance to ITP 5.1. Any modification to the RFP Documents that may become necessary as a result of the pre-proposal meeting shall be made by the Lessor exclusively through the issue of an Addendum pursuant to ITP 6 and not through the minutes of the pre-proposal meeting. Nonattendance at the pre-proposal meeting will not be a cause for disqualification of a Bidder.</p>
<p><b>6. Amendment of RFP Documents</b></p>	6.1	<p>At any time prior to the deadline for submission of proposal, the Lessor may amend the RFP Documents by issuing addenda.</p>
	6.2	<p>Any addendum issued shall be part of the RFP Documents and shall promptly publish the addendum on the Lessor’s web page in accordance with ITP 5.1.</p>
	6.3	<p>To give Proponents reasonable time in which to take an addendum into account in preparing their proposal, the Lessor may extend the deadline for the submission of proposal, pursuant to ITP 17.2.</p>
<p><b>C. PREPARATIONS OF PROPOSALS</b></p>		



7. Cost of Proposal	7.1	The Proponent shall bear all costs associated with the preparation and submission of its proposal, and the Lessor shall not be responsible or liable for those costs, regardless of the conduct or outcome of the RFP Process.
8. Language of Proposal	8.1	The RFP, as well as all correspondence and documents relating to the RFP exchanged by the Proponent and the Lessor, shall be written in the ENGLISH or DHIVEHI language.
9. Documents Comprising the Proposal	9.1	<p>The Proposal shall comprise the following:</p> <ul style="list-style-type: none"> <li>(a) Bid Security in accordance with ITP 13;</li> <li>(b) Written confirmation authorizing the signatory of the Proposal to commit the Proponent, in accordance with ITP 15.2 and ITP 15.3;</li> <li>(c) Business Proposal Requirement stipulated in Section V;</li> <li>(d) In the case of a Proposal submitted by a Joint Venture (JV), the JV agreement or letter of intent to enter into JV including but not limited to scope of works to be executed by respective partners and equity share percentage of the respective partners;</li> <li>(e) Any other document required in RFP data sheet.</li> </ul>
10. Letter of Proposal	10.1	The Letter of Proposal shall be prepared using the Form 03 in Section V. The form must be completed without any alterations to the text, and no substitutes shall be accepted. All blank spaces shall be filled in with the information requested.
	10.2	The Proponent shall quote prices conforming to the requirements specified in Section III.
11. Currencies of Proposal	11.1	The currency(ies) of the proposal are to be quoted in Maldivian Rufiyaa (MVR).
12. Period of Validity of Proposals	12.1	Proposal shall remain valid for the period <b>specified in the RFP Data Sheet</b> . A proposal valid for a shorter period shall be rejected by the Lessor as non-responsive.
13. Bid Security	13.1	The Proponent shall furnish as part of its proposal, a bid security in original form and in the amount and currency <b>specified in the RFP Data Sheet</b> .
	13.2	The Bid Security shall be valid for the period <b>specified in the RFP Data Sheet</b> .



	13.3	The Bid Security shall be a demand guarantee in forms of an unconditional guarantee issued by a locally registered Bank or financial institution (such as an insurance, bonding or surety company). The bid security shall be submitted as per Form 01 in Section V.
	13.4	The Bid Security of a JV shall be in the name of the JV that submits the bid. If the JV has not been legally constituted into a legally enforceable JV at the time of bidding, the bid security shall be in the names of all future members as named in the letter of intent referred to in ITP 3.1 and ITP 9.1
	13.5	Any proposal not accompanied by a substantially responsive bid security shall be rejected by the Lessor as non-responsive.
	13.6	The Bid Security of the successful Proponent shall be returned as promptly as possible once the successful Proponent has signed the Contract.
	13.7	The Bid Security of unsuccessful Proponents shall be returned as promptly as possible upon the successful Proponent's signing the Contract.
	13.8	The Bid Security may be forfeited or the Bid Securing Declaration Executed: (a) If the proponent withdraws its Proposal during the period of Proposal validity specified by the Proponent in the Letter of Proposal; or (b) If the successful proponent (i) fails or refuses to pay lease deposit, or (ii) fails to execute the terms and conditions of the conditional award of the Lessor.
<b>14. Bank Guarantee</b>	14.1	The Proponent shall furnish as part of its proposal, a bank guarantee in original form and in amount and <b>currency specified in the RFP Data Sheet.</b>
	14.2	The Bank Guarantee shall be valid for the period <b>specified in the RFP Data Sheet.</b>
	14.3	The Bank Guarantee shall be claimed as the Lease deposit payment when the Proponent is awarded with the unit.
	14.4	Bank Guarantee of unsuccessful Proponents will be returned as promptly as possible upon the successful Proponent's signing the Contract.

	14.5	The Bank Guarantee of a JV shall be in the name of the JV that submits the bid. If the JV has not been legally constituted into a legally enforceable JV at the time of bidding, the Bank Guarantee shall be in the names of all future members as named in the letter of intent referred to in ITP 3.1 and ITP 9.1
	14.6	Any proposal not accompanied by a substantially responsive Bank Guarantee shall be rejected by the Lessor as non-responsive.
<b>15. Format and Signing of Proposal</b>	15.1	The Proponent shall submit one original of the documents comprising the proposal as described in ITP 9.1.
	15.2	The original and all copies of the proposal shall be typed or written in indelible ink and shall be signed by a person duly authorized to sign on behalf of the Proponent. This authorization shall consist of a written confirmation of a Power of Attorney to sign on behalf of the Proponent. The name and position held by each person signing the authorization must be typed or printed below the signature. All pages of the proposal where entries or amendments have been made shall be signed or initialed by the person signing the proposal.
	15.3	In case the Proponent is a JV, the Proposal shall be signed by an authorized representative of the JV on behalf of the JV, and so as to be legally binding on all the members as evidenced by a power of attorney signed by their legally authorized representatives.
	15.4	Any inter-lineation, erasures, or overwriting shall be valid only if they are signed or initialed by the person signing the proposal.
<b>D. SUBMISSION AND OPENING OF PROPOSALS</b>		
<b>16. Sealing and Marking of Proposals</b>	16.1	Proponents shall submit their proposal by mail or by hand. If so, <b>specified in the RFP Data Sheet</b> , Proponents shall have the option of submitting their Proposal electronically. Procedures for submission, sealing and marking are as follows:  (a) Proponents submitting Proposal by mail or by hand shall enclose the original of the Bid in one sealed single envelope, duly marking the envelope as "ORIGINAL BID".



		(b) Proponent submitting Proposal electronically shall follow the electronic bid submission procedures <b>specified in the RFP data sheet.</b>
	16.2	The sealed envelope shall: (a) bear the name and address of the Proponent; (b) bear the name of the Project and shall be addressed to the Lessor; (c) bear the specific proposal reference number of this RFP process indicated in RFP Data Sheet; (d) bear the name, address and contact number and contact person of the Proponent. (e) bear a warning not to open before the time and date for proposal opening in accordance with ITP 16.1. (f) include Form 06 - Proposal Checklist
	16.3	If the envelope is not sealed and marked as required, the Lessor will assume no responsibility for the misplacement or premature opening of the proposal.
<b>17. Deadline for Submission of Proposal</b>	17.1	Proponents must submit the required documents to the online portal no later than the date and time <b>specified in the RFP Data Sheet.</b>
	17.2	Proposals must be received by the Lessor at the address and no later than the Proposal Submission date and time <b>specified in the RFP Data Sheet.</b>
<b>18. Late Proposal</b>	18.1	The Lessor shall not consider any proposals that arrives after the deadline for submission of proposal specified in ITP 16. Any proposal received by the Lessor after the deadline for submission of proposal shall be declared late, rejected, and returned unopened to the Proponent.
<b>19. Proposal Opening</b>	19.1	The Lessor shall open Proposals at the address on the date and time <b>specified in the RFP Data Sheet</b> in the presence of Proponent's designated representatives and anyone who choose to attend. Any specific electronic bid opening procedures required if electronic bidding is permitted in accordance with ITP 16.1, shall be <b>specified in the RFP Data Sheet.</b>

	19.2	The Lessor shall open the proposals one at a time and read out and record the following  (a) the name of the Proponent;  (b) the presence of original Bid Security;  (c) any other details as the Lessor may consider appropriate.
	19.3	Only proposals read out and recorded at proposal opening shall be considered for evaluation. No Proposal shall be rejected at the opening except for late proposal in accordance with ITP 17.1 and proposals that are not in accordance with Form 06 - Proposal Checklist.
	19.4	The Lessor shall prepare a record of the proposal opening that shall include, as a minimum: the name of the Proponent; the Price; and the presence or absence of a bid security, if one was required. The Proponents' representatives who are present shall be requested to sign the record. The omission of a Proponent's signature on the record shall not invalidate the contents and effect of the record. A copy of the record shall be distributed to all Proponents who submitted proposal on time.
<b>E. EVALUATION AND COMPARISON OF PROPOSALS</b>		
<b>20. Confidentiality</b>	20.1	Information relating to the evaluation of proposals, comparison of proposals and recommendation of contract award shall not be disclosed to Proponents or any other persons not officially concerned with the RFP process until information on Contract award is communicated to all Proponents in accordance with ITP 28.
	20.2	Any attempt by a Proponent to influence the Lessor in the evaluation of the proposals or Contract award decisions may result in the rejection of its proposal.
	20.3	Notwithstanding ITP 20.2, from the time of proposal opening to the time of Contract award, if a Proponent wishes to contact the Lessor on any matter related to the RFP process, it shall do so in writing.
<b>21. Clarification of Proposals</b>	21.1	To assist in the examination, evaluation, and comparison of the proposals, and qualification of the Proponents, the Lessor may, at its discretion, ask any Proponent for a clarification of its proposal, giving a reasonable time for a response. Any clarification submitted by a Proponent that is not in response to a request by the Lessor shall not be

		considered. The Lessor's request for clarification and the response shall be in writing. No change, including any voluntary increase or decrease, in the prices or substance of the proposal shall be sought, offered, or permitted, except to confirm the correction of arithmetic errors discovered by the Lessor in the evaluation of the proposals, in accordance with ITP 24.
	21.2	If a Proponent does not provide clarifications of its proposal by the date and time set in the Lessor's request for clarification, its proposal may be rejected.
<b>22. Deviations, Reservations, and Omissions</b>	22.1	<p>During the evaluation of proposal, the following definitions apply:</p> <ul style="list-style-type: none"> <li>(a) "Deviation" is a departure from the requirements specified in the RFP Documents;</li> <li>(b) "Reservation" is the setting of limiting conditions or withholding from complete acceptance of the requirements specified in the RFP Documents; and</li> <li>(c) "Omission" is the failure to submit part or all of the information or documentation required in the RFP Documents.</li> </ul>
<b>23. Determination of Responsiveness</b>	23.1	The Lessor's determination of a proposal's responsiveness is to be based on the contents of the proposal itself, as defined in ITP 9.1.
	23.2	A substantially responsive proposal is one that meets the requirements of the RFP Documents without material deviation, reservation, or omission.
	23.3	<p>A substantially responsive proposal is one that meets the requirements of the RFP Documents without material deviation, reservation, or omission. A material deviation, reservation, or omission is one that,</p> <ul style="list-style-type: none"> <li>(a) if accepted, would <ul style="list-style-type: none"> <li>(i) affect in any substantial way the scope, quality, or performance of the Works specified in the Contract; or</li> <li>(ii) limit in any substantial way, inconsistent with the RFP Documents, the Lessor's rights or the Proponent's obligations under the proposed Contract; or</li> </ul> </li> </ul>

		(b) if rectified, would unfairly affect the competitive position of other Proponents presenting substantially responsive proposal.
	23.4	If a proposal is not substantially responsive to the requirements of the RFP Documents, it shall be rejected by the Lessor and may not subsequently be made responsive by correction of the material deviation, reservation, or omission.
<b>24. Correction of Arithmetical Errors</b>	24.1	<p>Provided that the proposal is substantially responsive, the Lessor shall correct arithmetical errors on the following basis:</p> <p>(a) if there is a discrepancy between the unit price and the total price that is obtained by multiplying the unit price and quantity, the unit price shall prevail and the total price shall be corrected, unless in the opinion of the Lessor there is an obvious misplacement of the decimal point in the unit price, in which case the total price as quoted shall govern and the unit price shall be corrected;</p> <p>(b) if there is an error in a total corresponding to the addition or subtraction of subtotals, the subtotals shall prevail and the total shall be corrected; and</p> <p>(c) if there is a discrepancy between words and figures, the amount in words shall prevail, unless the amount expressed in words is related to an arithmetic error, in which case the amount in figures shall prevail subject to (a) and (b) above.</p>
	24.2	Proponents shall be requested to accept correction of arithmetical errors. Failure to accept the correction in accordance with ITP 24.1, shall result in the rejection of the Proposal.
<b>25. Evaluation of Proposal</b>	25.1	The Lessor shall use the criteria and methodologies listed in Section IV. Qualification and Evaluation Criteria.
	25.2	In the event, the difference in total evaluation scores of two or more Proponents is less than 3% the Proponent proposing the highest revenue (Net Present Value) will be ranked the highest among the Proponents with less than 3% and the rest of the Proponents within this range will be ranked accordingly.
<b>26. Lessor's Right to Obtain Additional Documents</b>	26.1	During Evaluation of the Section IV. Qualification and Evaluation Criteria, if additional documents are required for the qualification of the proposal submitted by the Proponent, the Lessor shall have the rights to call for additional

		documents within a set period of time. As such any documents requested within the evaluation period will not affect the evaluation scoring of a Proposal and shall only be for the purpose of qualifying a submitted proposal.
	26.2	<p>a) In the event where more than 1 (one) Proposal is received for the RFP, Proponents with higher NPVs are required to submit additional documents in order to qualify, the Lessor shall have the rights to call for additional documents within a set period of time.</p> <p>b) In the event where only 1 (one) Proposal is received for the RFP, the Lessor may call for additional documents within a set period of time in order to save the time of the allocation.</p>
	26.3	The Lessor shall communicate via email with the Authorized Representative specified in the Proposal by the Proponent if additional documents are required as per ITP 26.1 and ITP 26.2
	26.4	Proponents who are required to submit additional documents shall submit the documents within the time specified by the Lessor subject to ITP 26.3. Evaluation will be carried out with the initial documents submitted with the Proposal by the Proponents in the event where they fail to submit the required documents.
<b>27. Lessor's Right to Accept Any Proposal, and to Reject Any or All Proposal</b>	27.1	The Lessor reserves the right to accept or reject any proposal, and to annul the RFP process and reject all proposals at any time prior to contract award, without thereby incurring any liability to Proponents. In case of annulment, all proposals submitted and specifically, bid securities, shall be promptly returned to the Proponents.
<b>F. AWARD OF CONTRACT</b>		
<b>28. Award Criteria</b>	28.1	Subject to ITP 27.1, the Lessor shall conditionally award the Contract to the Proponent(s) whose proposals has been determined to be substantially responsive to the RFP Documents and scored the highest marks as specified in ITP 25, provided further that the Proponent is determined to be qualified to perform the Contract satisfactorily.
	28.2	In case of multiple units are specified in Section III, the Lessor shall conditionally award the Contract to the Proponents as per evaluation ranking subject to ITP 28.1

<b>29. Unit Selection</b>	29.1	Unit Selection for the Successful Proponents shall be carried out as per procedures <b>specified in the RFP data sheet.</b>
<b>30. Notification of Conditional Award</b>	30.1	All communications related to the proposal submitted will be communicated to the Authorized representative
	30.2	Prior to the expiration of the period of proposal validity, the Lessor shall notify the successful Proponent, in writing, that its proposal has been accepted
	30.3	Until a formal contract is prepared and executed, the successful Proponents' proposal and the notification of conditional award shall constitute a binding Contract.
	30.4	Failure of the successful Proponent to fulfill the obligations mentioned in the Conditional Award Letter, or sign the Contract in accordance with ITP 31 shall constitute sufficient grounds for the annulment of the conditional award and forfeiture of the bid security. In that event the Lessor may award the Contract to the next highest evaluated Proponent whose offer is substantially responsive.
<b>31. Signing of Contract</b>	31.1	Promptly upon notification of the conditional award, the Lessor shall send the successful Proponent the Contract
	31.2	Within 7 (seven) days of the success fulfilment of the obligation stipulated in Conditional Award Letter, successful Proponent shall sign the Contract with Lessor.



## SECTION II. RFP DATA SHEET

<b>A. GENERAL</b>	
ITP 1.1	Name of the Project: <b>Lease of unit from Commercial Block B for the provision of a Café along with the operation of HDC Staff Canteen</b>
ITP 1.1	The Reference Number of Proposal Process is: <b>HDC (161)-REM/IU/2024/46</b>
ITP 3.2	Joint Venture share proportion restriction shall not apply.
<b>B. CONTENTS OF RFP DOCUMENTS</b>	
ITP 5.1	For <b>clarification purposes</b> only, the Lessor's address is:  <b>Real Estate Management</b> Housing Development Corporation Ltd. Ground Floor, HDC Building Hulhumalé, Maldives Tel: (+960)335 3535, (+960)335 5113, (+960)335 5314 E-mail: <a href="mailto:sales@hdc.mv">sales@hdc.mv</a>
ITP 5.1	Webpage: Corporate website - <a href="https://www.hdc.mv/">https://www.hdc.mv/</a> MyHulhumalé Properties website - <a href="https://properties.hdc.com.mv/">https://properties.hdc.com.mv/</a>
ITP 5.1	The deadline for request for clarification is on or before <b>17<sup>th</sup> March 2024 at 14:00hrs</b>
ITP 5.2	The <b>pre-proposal meeting</b> shall take place at the following date, time and place; Date: <b>17<sup>th</sup> March 2024</b> Time: <b>10:00hrs</b> Place: Exhibition Centre, HDC Building
<b>C. PREPARATIONS OF PROPOSALS</b>	
ITP 12.1	Proposal Validity Period: <b>150</b> (One Hundred and Fifty) days
ITP 13.1	The Amount and Currency of Bid Security shall be <b>MVR 5,000.00</b> (Maldivian Rufiyaa Five Thousand) or <b>equivalent in United States Dollar (USD)</b> .  The source of exchange rate shall be <b>Maldives Monetary Authority (MMA)</b> and the date for the exchange rate shall be 14 (fourteen) days before Proposal Submission deadline.
ITP 13.2	Bid Security Validity Period: <b>180</b> (One Hundred and Eighty) days from the deadline for submission of Proposals.

ITP 14.1	<p>The Amount and Currency of Bank Guarantee shall be the amount proposed for the lease deposit or <b>equivalent in United States Dollar (USD)</b>. Bank Guarantee shall only be accepted from a registered bank of Maldives.</p> <p>The source of exchange rate shall be <b>Maldives Monetary Authority (MMA)</b> and the date for the exchange rate shall be 14 (fourteen) days before Proposal Submission deadline.</p> <p>The original bank guarantee as per Form 03 shall be submitted in a sealed envelope and all the proposals submitted shall include copy of the original bank guarantee submitted.</p>
ITP 14.2	<p>Bank Guarantee Validity Period: <b>180</b> (One Hundred and Eighty) days from the deadline for submission of Proposals.</p>
<p><b>D. SUBMISSION AND OPENING OF PROPOSALS</b></p>	
ITP 16.1	<p>Proponents do not have the option of submitting their Proposal Electronically.</p>
ITP 16.2	<p>For <b>proposal submission purpose</b> only, the Lessor Address is:</p> <p><b>Exhibition Center (Ground Floor)</b>  HDC Building  Huvandhumaa Hingun  Housing Development Corporation Ltd.</p> <p>Date: <b>26<sup>th</sup> March 2024</b>  Time: <b>09:30hrs to 10:30hrs</b></p>
ITP 18.1	<p>For <b>proposal opening</b> shall take place at:</p> <p><b>Exhibition Center (Ground Floor)</b>  HDC Building  Huvandhumaa Hingun  Housing Development Corporation Ltd.</p> <p>Date: <b>26<sup>th</sup> March 2024</b>  Time: <b>10:30 hrs</b></p> <p><b><i>Proposal Opening will be held physically in front of the proponents participating at Proposal Opening.</i></b></p>
<p><b>E. AWARD OF CONTRACT</b></p>	
ITP 29.1	<p>Unit selection shall not apply for this RFP.</p>

### SECTION III. LESSOR'S REQUIREMENTS

#### 1. SCOPE OF WORK

Housing Development Corporation (Lessor) is seeking interested parties for the Lease of unit from commercial block "B" for the provision of a café/ restaurant along with HDC staff canteen. The selected parties (Lessee) will be responsible for the design and operation of the unit for the duration of lease term as per the guidelines set forth by Lessor. The operation of the unit includes but is not limited to, management, administration, supervision and maintenance of the unit.

#### 2. HDC Staff Canteen Menu

- 2.1 Breakfast should include 2 options daily. Continental (pastries and baked goods, fruits, toast, and coffee etc.) and local dishes (Mas huni, disc, roshi, kulhimas, rihaakuru etc.)
- 2.2 Lunch must include 2 sides and a main dish. 2 options should be included for lunch.
- 2.3 All readymade snacks and drinks prices must not exceed the market price and pricing must be clearly defined.
- 2.4 A local Cuisine to be served at least once a week.
- 2.5 Pricing of all items to be clearly defined.

#### 3. Facilities available at Staff Canteen

- 3.1 Free electricity and water provision.
- 3.2 Furniture, cutleries, and plates to use within the canteen premises.
- 3.3 Display Fridge and D Freezer.

#### 4. BUSINESS MODEL

- 4.1 The Business Model is Lease Model, whereby the Lessee agrees to pay the Lease fixed by the Lessor.
- 4.2 The monthly rent for café/ restaurant space will be fixed at MVR 30,195.90 (Maldivian Rufiyaa Thirty Thousand One Hundred Ninety-Five and Ninety Laari )
- 4.3 The unit will be leased for 5 (five) years.

#### 5. ESTIMATED INVESTMENT COST

- 5.1 Estimated Investment Cost for the units are **MVR 301,959.00** (Maldivian Rufiyaa Three Hundred One Thousand Nine Hundred Fifty-Nine). This amount is derived based on the unit area, unit usage and the scope of work essential for the operation of the unit.
- 5.2 The calculation basis for Estimated Investment Cost is calculated at the rate of MVR **300.00** (Maldivian Rufiyaa Three Hundred) per square feet of the unit with the highest area.

**6. UNIT DETAILS**

<b>Unit Number</b>	<b>Usage</b>	<b>Unit Area (sqft)</b>
PC02-G-01 & PC02-G-02	Café / Restaurant	1,006.53

*Drawings and Guideline related to the unit will be included in the Section VII. Drawings and Guidelines.*

## SECTION IV. QUALIFICATION AND EVALUATION CRITERIA

This Section contains all the criteria that the Lessor shall use to qualify Proponents and evaluate the proposals. In accordance with ITP 25, no other factors, methods or criteria shall be used. The Proponent shall provide all the information / documents requested in the Section V, Business Proposal Requirements and proposal shall fulfill requirements in accordance with ITP 9.1.

### 1. QUALIFICATION CRITERIA

Proponents that meet the requirement set in Qualification Criteria of Section IV will be evaluated according to evaluation criteria.

#### 1.1. Financial Resources

- (a) Proponent shall provide proof of funds to finance the full Estimated Investment Cost by the Lessor as per Section III. Lessor's Requirement, Clause 4.
- (b) Financial resources will be evaluated based on the method of financing proposed, and the documents submitted by the Proponents as per Section V. Business Proposal Requirement, Clause 5.
- (c) Bank statements will not be considered when evaluating the financial eligibility of the Proponent.
- (d) Proponents who do not show proof of funds to finance the proposed investment cost shall be disqualified.

#### 1.2. Outstanding Payment

- (a) Proponent shall not have any due payment to Lessor prior to 30 (Thirty) calendar days to Proposal Submission.
- (b) Proponents who have payment due prior to 30 (Thirty) calendar days of the submission of RFP shall be disqualified.

#### 1.3. History of Non-Performing Contracts and Compliance with Court Verdicts

- (a) Proponents whose agreement has been terminated due to Proponent's non-performance within last 5 (Five) years will be disqualified.
- (b) Proponents who do not have complied with any court verdicts in relation to an agreement made with HDC, within the last 5 (Five) years shall be disqualified.

## 2. EVALUATION CRITERIA

Proposals that meet the requirements set in Qualification Criteria of Section III will be evaluated based on the following evaluation criteria and points will allocated as below:

Criteria	Allocated %
a) Experience	40%
b) Business Plan	15%
c) Proposed Menu	35%
d) Staff benefits	10%
<b>Total</b>	<b>100%</b>

### 2.1. Experience - 40%

- 2.1.1. Experience will be evaluated based on the number of years in similar operation (Café, Restaurants, Bakery, Catering Services & Barista) and scale of operation.
- 2.1.2. Maximum Points for operation experience will be given for registered establishments that have been in operation in a similar operation for the past 5 (five) years and points will be given pro-rata basis for Proponents with less than 5 (five) years operation experience.
- 2.1.3. Scale of current operations will be considered based on number of outlets in similar operation. Maximum points for scale of operation shall be given to the Proponents with maximum number of outlets and points will be given pro-rata basis for other Proponents.

### 2.2. Business Plan - 15%

The business plan will be evaluated based on the following criterion:

- 2.2.1. Operational Plan - 40 points
- 2.2.2. Management plan - 30 points
- 2.2.3. Financial Plan - 30 Pints

### 2.3. Proposed Menu - 35%

2.3.1. Proposed Menu for the HDC canteen will be evaluated based on the following:

- 2.3.1.1. Number of Items served (30 points)
  - Proponents who propose to serve the maximum number of items in Breakfast and Lunch buffet will be given maximum marks and points will be given pro-rata basis for other proponents.
- 2.3.1.2. The variety of cuisines offered (40 points)
  - Proponents who propose the maximum number of menus to be rotated will be given the maximum marks, whereby points shall be given as pro-rated for the other proponents.
  - Each rotation menu shall include breakfast and lunch menu for 5 days.
- 2.3.1.3. The prices of the Meals (30 points)

- price of Main meals in Breakfast and Lunch (15 points): Proponents who propose the lowest prices for main meals in Breakfast and Lunch buffet will be given the maximum marks, whereby points shall be given as pro-rated for the other proponents.
- price of Add-ons and snacks (15 points): Proponents who propose the lowest average price for Add-ons and snacks will be given the maximum marks, whereby points shall be given as pro-rated for the other proponents.

#### **2.4. Staff benefits – 10%**

- 2.4.1. The staff benefit is the percentage of discount that the proponent is offering to the staffs of HDC from the proponent's other outlets.
- 2.4.2. The proponent offering the highest discount percentage will be given maximum points, whereby points shall be given as pro-rated for the other proponents.

## SECTION V. BUSINESS PROPOSAL REQUIREMENT

To establish its qualifications to perform the contract in accordance with *Section IV Qualification and Evaluation Criteria* and to determine the proposal as substantially responsive proposal, Proponent shall provide the information requested in the corresponding documents included hereunder. Proponents are advised to submit the proposal in the following order and include page of content and separators for each section.

### 1. BID SECURITY AS IN FORM 01

### 2. BANK GUARANTEE AS IN FORM 02

- 2.2 Bank guarantee must be from a registered bank in Maldives.
- 2.3 Bank guarantee amount shall be equivalent to proposed Lease deposit amount.
- 2.4 Bank Guarantee shall be accepted only as per the format given in Form 02
- 2.5 Bank guarantee will be claimed as per ITP Clause 14.3.

### 3. LETTER OF PROPOSAL AS IN FORM 03

### 4. LEGAL DOCUMENTS:

- 4.1. Copy of Business Registration Certificate / Profile information Sheet
- 4.2. For Partnership; Partnership Deed / Agreement
- 4.3. For Company; Memorandum and Articles of Association of the Company
- 4.4. For Company; Board Resolution of the Company confirming Board of Director's approval for proposed work
- 4.5. Information of the Authorized Representative as in Form 04
- 4.6. Declaration of Immediate Family Members as in Form 08
- 4.7. Power of Attorney to sign on behalf of the Proponent in accordance with ITP 15.2
- 4.8. In the case of a Proposal submitted by a Joint Venture (JV), the JV agreement or letter of intent to enter into JV including but not limited to scope of works to be executed by respective partners and equity share percentage of the respective partners
- 4.9. Company Profile Information Sheet issued by Ministry of Economic Development.

### 5. FINANCIAL DOCUMENTS

#### 5.1. HDC statement of the Due Clearance

5.1.1. Due clearance statement from HDC will be given upon request from the proponent via Due Clearance Form.

- Due Clearance Form will be available to download via the following link:  
<https://hdc.mv/downloads/>

#### 5.2. Financing Method(s) as in Form 05

- 5.2.1. Proposed method(s) of financing the Estimated Investment Cost and the percentage ratio of method (s). Proposed method(s) of financing for investment can be equity financing, equity injection, bank finance, external



finance such as financier company, lines of credit, time deposit, tradable bonds or combination of various financing methods.

**5.3 Based on the proposed method of Financing, the following documents are required:**

5.3.1 Equity Financing by a Sole Proprietorship:

- (a) Monthly Average Balance Confirmation of the 06 (six) months prior to proposal submission or End Balance Confirmation from 01 (one) month prior to proposal submission of the business entity shall be submitted. The submitted statement shall be original and authorized by the bank / financial institution.

(If the statement is provided in the letter head of the bank / financial institute with the authorised signature, the statement will be accepted)

5.3.2 Equity Financing by a Company:

- (a) Monthly Average Balance Confirmation of the 06 (six) months prior to proposal submission or End Balance Confirmation from 01 (one) month prior to proposal submission of the business entity shall be submitted as per the requirements mentioned in clause 5.3.1. (a).
- (b) For Company, audited financial statements of most recent year (2022) authorized by a certified audit firm / individual and management account of the year 2023. The audited financial statements must include auditors report and shall be signed and stamped by the respective parties. If the company is not audited as per MIRA requirements, it is not required to submit audited financial statements.

5.3.3 Bank Financing:

- (a) Bank comfort letter/bank guarantee or any other relevant documents from bank or financial institutions shall be submitted. The submitted documents shall include the Proponent(s) name and name of proposed work/ project (RFP Name).

5.3.4 Equity Injection:

- (a) Letter of commitment from shareholder including the Proponent(s) name and name of the proposed work/ project (RFP Name).
- (b) Shareholder's Monthly Average Balance Confirmation or End Balance Confirmation (as per Section V Clause 5.3.1 (a)) or shareholder's audited financial statements (as per Section V Clause 5.3.2 (b)) or relevant documents for bank financing by shareholder (as per Section V Clause 5.3.3) or relevant documents for external financing by shareholder (as per Section V Clause 5.3.5) shall be submitted.

5.3.5 External Financing:

- (a) Letter of commitment from financier including the Proponent(s) name and name of the proposed work/ project (RFP Name).
- (b) Financier's Monthly Average Balance Confirmation or End Balance Confirmation (as per Section V Clause 5.3.1 (a)) or financier's audited financial statements (as per Section V Clause 5.3.2 (b)) or relevant documents for bank financing by financier (as per Section V Clause 5.3.3) shall be submitted.

## 6. Proposed Menu for HDC Canteen

Proposed Menu for HDC Canteen must include the following:

- 6.1 Items and varieties that can be served at Breakfast and Lunch buffet.
- 6.2 A local cuisine to be served at least once a week.
- 6.3 Breakfast must include 2 options daily. Continental (pastries and baked goods, fruits, toast, and coffee etc.) and local dishes (Mas huni, disc, roshi, kulhimas, rihaakuru etc.)
- 6.4 Lunch must include 2 sides and a main dish, 2 options for lunch (items to be defined).
- 6.5 Snacks (sandwiches/short eats/pastries) to be available in between meals and after official hours.
- 6.6 All readymade snacks and drinks prices must not exceed the market price and pricing must be clearly defined.
- 6.7 Menus for pastry, snacks, beverages, and add-ons should be submitted including prices for each item.
- 6.8 Pricing of all items to be clearly defined.
- 6.9 List of free condiments (Poppadum, Salt, Pepper, Chili, Onion, tomato, chili paste, and tomato, and chili sauce,) must be displayed and available at all mealtimes.

## 7. Experience

- 7.1 Documents proving the number of similar outlets in operation by the proponent, such as Business Permits, FDA approved certificate and any relevant documents.

## 8. Business Plan

- 8.1 The Business plan should include the following:
  - Canteen Menu
  - Management plan
  - Operational plan (including the space utilization)
  - Human resource plan
  - Financial plan

## 9. PROPOSAL CHECKLIST

- 8.1 Proposal Checklist as in Form 06 should be attached outside the sealed envelope.

**FORM 01: BID SECURITY FORM**

The Issuing Bank shall fill in this Bank Security Form in accordance with the instructions indicated.  
\_\_\_\_\_ {Bank's Name, and Address of Issuing Branch or Office}

**Beneficiary.:** Housing Development Corporation Ltd., 3rd Floor, HDC Building, Hulhumalé, Republic of Maldives,

**Date.:** \_\_\_\_\_

**Bid Security No.:** \_\_\_\_\_

We have been informed that \_\_\_\_\_ {name of the proponent} (hereinafter called "the Proponent") has submitted their proposal dated \_\_\_\_\_ {date of proposal submission} for the execution of \_\_\_\_\_ {name of project} (hereinafter called "the RFP") under Invitation for Proposal No. \_\_\_\_\_ {invitation for proposal}.

Furthermore, we understand that, according to your conditions, Proposals must be supported by a Bid Security.

At the request of the Proponent, we \_\_\_\_\_ {name of Bank} hereby irrevocably undertake to pay you any sum or sums not exceeding in total an amount of \_\_\_\_\_ [amount in figures] ( \_\_\_\_\_ ) [amount in words] upon receipt by us of your first demand in writing accompanied by a written statement stating that the Proponent is in breach of its obligation(s) under the RFP conditions, because the Proponent:

- (a) has withdrawn its Proposal during the period of Proposal validity specified by the Proponent in the Letter of Proposal; or
- (b) having been notified of the acceptance of its Proposals by the Employer during the period of Proposal validity, (i) fails or refuses to pay lease deposit, or (ii) fails to execute the term and conditions of the conditional award of the Employer.

This guarantee will expire: (a) if the Proponent is the successful Proponent, upon our receipt of copies of the agreement signed by the Proponent and the lease deposit furnished to you upon the instruction; and (b) if the Proponent is not the successful Proponent, upon the earlier of (i) our receipt of a copy of your notification to the Proponent of the name of the successful Proponent; or (ii) **180 (One Hundred and Eighty)** calendar days from {date of submission} of the Proposal for the RFP.

Consequently, any demand for payment under this guarantee must be received by us at the office on or before that date.

This guarantee is subject to the Uniform Rules for Demand Guarantees, ICC Publication No. 758  
**[seal and signature of the bank / financial institution]**



**FORM 02: BANK GUARANTEE**

WHEREAS, (Name of Proponent, NID Number) (hereinafter called "the Proponent") has submitted their proposal dated (date of submission of proposal) for execution of (Name of the Project) – (herein after) called the "RFP", under Invitation for Proposal No. ----- (Invitation for Proposal).

KNOW ALL PEOPLE by these presents that We (name of bank) having our registered office at (address of bank) (here in after called "the bank") are bound unto the Housing Development Corporation Ltd of the Republic of Maldives.

Housing Development Corporation of the Republic of Maldives (here in after called "Lessor") in the sum of MVR (amount in numeric) (amount in words) for which payment well and truly to be made to the said Lessor, the Bank binds itself, its successors, and assigns by these presents.

Sealed with the Common Seal of the said Bank this (proposal opening date) day of 2024.

The condition of this obligation is:

- i. If the Proponent is awarded with the unit. We undertake to pay to the Lessor up to the above upon receipt of his first written demand, without the Lessor having to substantiate his demand, provided that in his demand the Lessor will note that the amount claimed by him is due to him owing to the occurrence of the above condition.

This Guarantee will remain in force up to including the (Date) (180 days from the above-mentioned date) after the deadline for submission of this Guarantee or as it may be extended by the Lessor, notice of which extension(s) should be given to the Bank. The extension should be approved and accepted by the bank and duly acknowledged by the bidder.

Notwithstanding anything here above contained, our liability under this guarantee is restricted to of MVR (amount in numeric) (amount in words), and will expire 180 (One Eighty) days from the date of issuance of this Guarantee, i.e. on (Date). Unless a claim is lodged against us in writing on or before that date, our liability under this Guarantee will cease without any further notice to you

(Seal and signature of the bank / financial institution)

**FORM 03: LETTER OF PROPOSAL**

Date: .....  
Name of the Project: .....  
Proposal Reference No: .....

**To:** Housing Development Corporation Ltd.  
Ground Floor, HDC Building  
Hulhumalé, Maldives

We, the undersigned, declare that:

- (a) We have examined and have no reservations to the Request for Proposal (RFP) documents including all addenda issued in accordance with Instruction to Proponents (ITP) 6.
- (b) We meet the eligibility requirements and have no conflict of interest in accordance with ITP 3;
- (c) We have not been suspended nor declared ineligible by the Lessor in accordance with ITP 3.3.
- (d) We have no outstanding payment due to the Lessor in accordance with Section III.
- (e) We have no non-performance of a contract and non-compliance with court verdicts in accordance with Section III.
- (f) We, ..... (insert business name and business registry number), offer to ..... (insert name of the Project).
- (g) We undertake, to pay the monthly rent of MVR 30,195.90 (Maldivian Rufiyaa Thirty Thousand One Hundred Ninety-Five and Ninety Laari) for 05 (five) years, where the proposal is accepted.
- (h) We propose to give \_\_\_\_ % (percentage in numbers) of discount to HDC staffs from all our outlets.
- (i) Where the proposal is successful, we undertake, to adhere the Drawings and Guidelines stated in Section VII, during the design and construction of the development / Unit.
- (j) Our proposal shall be valid for a period of One Hundred and Fifty (150) days from the date of proposal submission deadline in accordance with RFP document and it shall remain binding upon us and may be accepted at any time before the expiration of that period.
- (k) We understand that this proposal, together with your written acceptance thereof included in your notification of award, shall constitute a binding contract between us, until a formal contract is prepared and executed; and
- (l) We understand that Lessor is not bound to accept the highest evaluated proposal or any proposal that the lessor may receive.

**Proponent:**

Name: .....

(Seal)

Address: .....

Duly authorized to sign the proposal for and on behalf of the Company:

Name: .....

Title: .....

Signature: .....

Date: .....

**FORM 04: INFORMATION OF THE AUTHORIZED REPRESENTATIVE**

Date: .....  
Proposal Reference No:.....

**To:** Housing Development Corporation Ltd.  
Ground Floor, HDC Building  
Hulhumalé, Maldives

This is to authorize .....(Name, ID number) as a representative of  
.....(Name of the Proponent) to carry out the Project related to RFP  
..... (ref no) and to liaise with Lessor on behalf of the  
..... (Name of the Proponent)

**Proponent:**

Name: .....

Address: .....

.....

*Signature and Stamp*

**Authorized Representative (preferably fulltime personal):**

Name: .....

Designation: .....

ID Number: .....

Contact Number: .....

Email Address: .....

.....

*Signature*



**FORM 05: FINANCING METHOD(S)**

Date: .....

Name of the Project: .....

Proposal Reference No:.....

**To:** Housing Development Corporation Ltd.  
Ground Floor, HDC Building  
Hulhumalé, Maldives

Where the proposal is successful, we undertake, to finance the project/work under:

..... (Method of financing) ..... (percentage ratio)

..... (Method of financing) ..... (percentage ratio)

..... (Method of financing) ..... (percentage ratio)

..... (Method of financing) ..... (percentage ratio)

We hereby confirm and agree to finance the project/work will be financed by the above-mentioned method(s). We have submitted relevant documents to provide proof of funding, to the proposed method(s) of financing the project/work. We understated that the proposal will be disqualified if the documents do not show proof of funds to finance the Estimated Project Cost or if the documents are not in accordance with Section V. Business Proposal Requirement Clause 5. Financial Documents.

**Proponent:**

Name: .....

Address: .....

.....

*Signature and Stamp*



**FORM 06 - PROPOSAL CHECKLIST**

Proponents are required to submit Form 06 – Proposal Checklist outside the sealed envelope of the Proposal

Proponent	For HDC use	
<input type="checkbox"/>	<input type="checkbox"/>	1. Bid Security as in FORM 01
<input type="checkbox"/>	<input type="checkbox"/>	2. Bank Guarantee as in FORM 02
<input type="checkbox"/>	<input type="checkbox"/>	3. Letter of Proposal as in FORM 03
<input type="checkbox"/>	<input type="checkbox"/>	4. Copy of Business Registration Certificate / Profile Information Sheet
<input type="checkbox"/>	<input type="checkbox"/>	5. Board Resolution as in SECTION IV 4.4
<input type="checkbox"/>	<input type="checkbox"/>	6. Proposal Checklist in FORM 06 attached outside sealed proposal.

**Authorized Representative:**

Name: .....

Designation: .....

ID Number: .....

Contact Number: .....

Email Address: .....

**NOTE:**

- PROPOSALS WITHOUT THE SPECIFIED DOCUMENTS STATED IN THE FORM 06 PROPOSAL CHECKLIST (EXCLUDING FORM 06 – PROPOSAL CHECKLIST) WILL BE REJECTED AT THE TIME OF PROPOSAL OPENING.

**FORM 07 - PROPONENTS CHECKLIST**

Proponents shall confirm that all the required documents are submitted along with the proposals submitted. Proponents Checklist shall be checked and signed by the Proponent and shall be submitted along with the proposal.

<b>1. Proposal Documents:</b>	
	Proposal Form
	Bid Security
	Bank Guarantee
	Business Plan (if required)
	Experience (if required)
<b>2. Legal Documents:</b>	
Sole Proprietors:	
	Business Registration Certificate / Profile Information Sheet
	Information of the Authorized Representative as in Form 04
	Power of Attorney to sign on behalf of the Proponent
Companies:	
	Business Registration Certificate / Profile Information Sheet
	Information of the Authorized Representative as in Form 04.
	Power of Attorney to sign on behalf of the Proponent
	For Partnership: Partnership Deed / Agreement
	Memorandum and Articles of Association of the Company
	Board Resolution of the Company confirming Board of Director's approval for proposed work
<b>3. Financial Documents:</b>	
	HDC statement of the Due Clearance
	Method of Financing Form (Form 05)
<b>4. Documents required based on the proposed Method of Financing:</b>	
<u>If Equity Financing is proposed:</u>	
	Monthly Average Balance Confirmation of 06 (six) months prior to proposal submission or End Balance Confirmation one month prior to proposal submission of the business entity
	For Companies, audited financial statements of most recent year (2022) authorized by a certified audit firm.
	Management Account of the year 2023
<u>If bank financing is proposed:</u>	
	Bank Comfort letter
<u>For equity injection:</u>	
	Commitment letter from shareholders
	Monthly Average Balance Confirmation of 06 (Six) months or End Balance Confirmation of the shareholders (OR) Audited Financial statements of the most recent year (2022) and management account of the year 2023 (OR) Relevant documents for bank financing by shareholder Relevant documents for external financing by shareholder
<u>For external financing:</u>	



	Average Balance Confirmation of 06 (six) months prior to proposal submission or End Balance Confirmation one month prior to proposal submission of the external financier (OR)
	Audited Financial statements of the most recent year (2022) and management account of year 2023 (OR)

We hereby confirm that we have submitted the above-mentioned documents along with the proposal. We understand that the proposal will be disqualified if the documents are not in accordance with Section V. Business Proposal Requirement.

**Proponent:**

Name: .....

Address: .....

.....

*Signature and Stamp*

**FORM 08 - DECLARATION OF IMMEDIATE FAMILY MEMBERS**

Date: .....  
Name of the Project: .....  
Proposal Reference Number: .....  
Proponent Name: .....  
Name of the Authorized Signatory: .....

We, **[insert business name and business registry number]**, hereby confirm and declare that;

- 1. has a relation (Immediate family members employed at HDC) that puts in a position to influence the proposal of the proponent, or influence the decisions of the Lessor regarding the RFP process, (Yes/No)
- 2. If Yes, specify the details relating to the information pursuant to Clause 1 above are as follows;

NID No.	Family member / Relatives Name	Relationship	Position/Title

- 3. I hereby confirm the following;
  - a. That the information above is true, accurate and if all or any part of them are found to be untrue, HDC shall have the right to disqualify and reject the bid/proposal/quotation or terminate the agreement/work order,
  - b. I am also obliged to inform and disclose to HDC if there are any changes to the declaration herein, within ten (10) days from the occurrence of such changes.

Name: .....

Date: .....

Signature



## SECTION VI. CONTRACT TERMS

1.	<b>Parties to the Agreement</b>	<p>Housing Development Corporation Ltd HDC Building Hulhumalé</p> <p>(hereinafter referred to as "Lessor", which expression shall include its successors-in-title, liquidators, administrators and lawful assignees where the context so requires or admits).</p> <p>[Address of the successful Proponent]</p> <p>(hereinafter referred to as "Lessee", which expression shall include its successors-in-title, liquidators, administrators and lawful assignees where the context so requires or admits)</p>				
2.	<b>Objective</b>	2.1 The objective of this Agreement is to lease the unit from commercial block "B" for the provision of a café/ restaurant along with HDC staff canteen				
3.	<b>Unit Detail</b>	<table border="1" style="width: 100%; border-collapse: collapse;"> <thead> <tr> <th style="width: 50%; text-align: center;">Unit No:</th> <th style="width: 50%; text-align: center;">Unit Area (Sqft)</th> </tr> </thead> <tbody> <tr> <td style="text-align: center;">PC02-G-01 &amp; PC02-G-02</td> <td style="text-align: center;">1006.53</td> </tr> </tbody> </table>	Unit No:	Unit Area (Sqft)	PC02-G-01 & PC02-G-02	1006.53
Unit No:	Unit Area (Sqft)					
PC02-G-01 & PC02-G-02	1006.53					
4.	<b>Unit Usage</b>	4.1 The unit should only be used to Operate a café/ restaurant.				
5.	<b>Lease Term</b>	5.1 The lease period is 05 (five) years from the date of handover of premises.				
6.	<b>Business Model &amp; Lease Rate</b>	<p>6.1 The Business Model is Lease model, whereby the Lessee agrees to pay the proposed lease to the Lessor.</p> <p>6.2 The Monthly rent for café / restaurant space will be MVR 30,195.90 (Maldivian Rufiyaa Thirty Thousand One Hundred Ninety-Five and Ninety Laari).</p> <p>6.3 If the Lessee fails to pay the rent before 10th of each month, the amount will be deducted from canteen sales transaction.</p> <p>6.4 The lease rate will be effective from the date of unit handover.</p>				
7.	<b>Conditions Precedent</b>	<p>7.1 Agreement will only be signed upon fulfilment of the following conditions precedent:</p> <ul style="list-style-type: none"> <li>• Payment of Lease Deposit as per Clause 8.</li> </ul>				
8.	<b>Lease Deposit</b>	<p>8.1 The lease deposit amount shall be 03 (three) months' lease of the lease rate for Year 1.</p> <p>8.2 Submitted bank guarantee equivalent to the lease deposit amount will be claimed within 7 working days from the award letter.</p> <p>8.3 Lease Deposit will be paid back within 01 (one) Month upon expiration of the Agreement after adjusting for any unpaid lease, penalty or expenses that Lessor may incur linked to the Agreement and the unit, such as but not limited to unpaid utility bills.</p>				

		<p>8.4 If the Agreement is terminated by the Lessee before the expiration of the Agreement term without the notice period specified under clause 16.5, the Lessor has the right to take the security deposit amount in full.</p>
<b>9.</b>	<b>Handover of Units</b>	<p>9.1 The units PC02-G-01 &amp; PC02-G-02 will be handed over to the Lessee within 07 (seven) working days after signing the Agreement.</p> <p>9.2 The Canteen unit will be handed over to the Lessee within 07 (seven) working days after the award of the unit.</p>
<b>10.</b>	<b>Concept Drawing</b>	<p>10.1 The Concept Drawings must comply with the Unit Design Guideline provided by Lessor.</p> <p>10.2 The Concept drawings must be submitted within 20 (twenty) Calendar Days from the receipt of Conditional Award Letter Date.</p> <p>10.3 The Lessor must inform in writing to the Lessee of the approval of the concept drawing or comments to the concept drawings if any within 14 (fourteen) working days of Submission Date.</p> <p>10.4 If revisions need to be made to the submitted concept drawing, Lessee shall ensure rectifications and submission of the revised concept drawings as per the comments of Lessor within 14 (fourteen) calendar days of Lessor's comments being communicated.</p> <p>10.5 The Lessee shall address all the issues highlighted in comments provided by Lessor for drawings prior to the submission of revised concept.</p> <p>10.6 Revisions to concept drawing cannot be submitted prior to receiving comments from Lessor.</p> <p>10.7 The Lessee will be charged a fee of MVR 5.00 (Maldivian Rufiyaa Five) per square meter as concept approval fee and MVR 100.00 (Maldivian Rufiyaa Hundred) as an Administrative Fee.</p> <p>10.8 Revisions can be made to the concept only up to a maximum of two times.</p> <p>10.9 In case if more than 2 (Two) revisions to the initial concept is allowed, the lessee shall be charged a fine of 100% of the concept approval fee.</p> <p>10.10 If a major revision is brought to the concept drawing after the initial approval has been given, concept approval fee will be charged as per clause 10.7.</p> <p>10.11 If the Lessee fails to submit concept drawing as per the given timeline by the Lessor, Lessor shall give 10 days' notice to submit the Concept. Failure to submit the concept within the notice period will result in termination of the agreement.</p>

11.	<b>Grace Period</b>	11.1 The first 02 (two) months from the date of Unit handover, shall be a grace period where no rent shall be payable by the Lessee.
12.	<b>Option to Renew Term</b>	12.1 The Lessor may at its discretion give the Lessee option to renew or extend the Term, provided that the Lessee requests to renew or extend the Term at least 06 (Six) months prior to expiration of the Term. However, such renewal or extension may be granted based on the Lessee's performance under the Agreement. The Lessor and the Lessee shall negotiate the new extension of the Term. In the event that the Lessor and the Lessee fail to reach mutual Agreement with regard to the terms and conditions for renewal or extension of the Term latest by 03 (Three) months prior to expiration of the Term, then the Agreement shall expire at the end of the Term.
13.	<b>Duties and Obligation of Lessee</b>	<p>13.1 Utilize the leased Premises only for the specific usage detailed in Clause 4, and remain consistent in carrying out the work.</p> <p>13.2 The Lessee shall ensure to commence the operation of HDC staff canteen within 7 days from the date of unit handover.</p> <p>13.3 The Lessee shall ensure to commence the operation in commercial units PC02-G-01 &amp; PC02-G-02 no later than one month from the end of grace period.</p> <p>13.4 The Lessee shall not store any flammable liquids, corrosive materials and/or gas cylinders at the leased space.</p> <p>13.5 The Lessee shall not store any unlawful material or substances (whether in direct or indirect contravention of the laws of the Republic of Maldives) on the Property and shall adhere to the rules and regulations enforced by the Government Authorities.</p> <p>13.6 The Lessee shall not, either intentionally or unintentionally cause any damage to the property or any other neighboring property or violate any rules and regulations pertained by Lessor. Such damage includes, but is not limited, to dumping garbage, pollution, unlawful entry, and waste disposal.</p> <p>13.7 The loading and unloading processes shall not cause any disturbances or congestions to any third party.</p> <p>13.8 The Lessee shall not be allowed to make any alteration, changes, replacements, improvements or additions (any of which is an alteration) in and to the premises at any time, unless approved by Lessor.</p> <p>13.9 Use the Premises to provide facilities or services that conform to the rules and regulations and Lessor's guidelines which may be issued and/or modified from time to time, and the rules and regulations enforced by the relevant Authority or any other institution in charge of issuing of permits or authorizations.</p> <p>13.10 Make payments to the relevant Authorities for all utility services consumed or supplied inclusive of electricity meters, water</p>

		<p>meters and telecommunication connections to the Premises during the Term. The Lessor and the Lessee confirm the readings for the electricity and water supply meters on the Premises at the time of occupation of the Premises.</p> <p>13.11 Not to assign, sublet, charge or part with or share possession or otherwise dispose of the Premises or any of its rights, obligations, or responsibilities under the Agreement without the prior written consent of the Lessor.</p> <p><b>Duties &amp; obligations on canteen operation:</b></p> <p>13.12 Canteen operation must be from 8:00am to 5:00pm on each working day.</p> <p>13.13 Canteen transactions should be made on a monthly credit basis (21st to 20th of each month)</p> <p>13.14 Maximum price for the meals must not exceed:</p> <ul style="list-style-type: none"> <li>• Breakfast: MVR 30 (Maldivian Rufiyaa Thirty)</li> <li>• Lunch: MVR 40 (Maldivian Rufiyaa Forty)</li> </ul> <p>13.15 Free condiments for mealtimes (Pappadum, Sause, salt, pepper, chili, onion &amp; tomato) must be available at all times.</p> <p>13.16 Pastry, snacks, beverages, and add-ons must be available with the price displayed at all times in the canteen.</p> <p>13.17 Lessee must bring their equipment (Food showcase/Juice Mixer/Toaster/Buffer trays/Juice Dispenser) and also may use their crockery, cutlery, glassware, and any other equipment required for the service.</p> <p>13.18 The Menu should be changed quarterly after reviewing with both parties.</p> <p>13.19 Any changes to the menu (pricing &amp; Serving portion), must be communicated to HDC in written and get approval before bringing any such change.</p> <p>13.20 Due to negligence from the lessee, the lessee will be fully responsible for the breakage and damage that may be caused to the building and equipment.</p> <p>13.21 The cost of the gas consumed for canteen use must be arranged by the lessee.</p> <p>13.22 A total of 3 staff should be always available in the Canteen, 2 staff for serving and 1 staff for the kitchen.</p> <p>13.23 The Canteen kitchen is not allowed to cook meals but can warm up and prepare omelets/sausage. Main meals should be prepared from the main kitchen and delivered to Canteen.</p> <p>13.24 Single-use plastic is not allowed throughout the service provision.</p>
--	--	--



		<p>13.25 The Employees working at the canteen must be well-groomed, including wearing head caps, always handling food with gloves, and should be always hygienic.</p> <p>13.26 The Lessee must arrange for the cleanliness of the canteen and its surroundings. (kitchen/ counter/staircase/tea coffee area/ sinks/ tables/ floor) must be clean at all times</p> <p>13.27 The Lessee must be responsible for the safe and hygienic disposal of the canteen waste and dump it at the designated location before closing the canteen.</p> <p>13.28 To prevent kitchen sink pipe blockages, the lessee should refrain from filling the sink with food waste. (Lessee should take responsibility and fix any such issues).</p> <p><b>Billing and Invoicing of Canteen sales:</b></p> <p>13.29 Canteen daily sales should be logged into the canteen sales software. The canteen sales software will be provided by HDC.</p> <p>13.30 Any transaction outside the canteen sales software should be handled by the Lessee.</p> <p>13.31 Due to an unforeseen error in the canteen sales software, sales details must be logged in a sheet and must be entered later into the software.</p> <p>13.32 Canteen payments will be processed on the 26th of each month and reinstated to the Caterer within working 10 days.</p> <p>13.33 The Canteen sales should be confirmed and mailed to the Administration department before the 23rd of each month.</p> <p>13.34 The invoice should be mailed to hello@hdc.mv by the 23rd of each month to process the payment.</p>
<p>14.</p>	<p><b>Duties and Obligation of Lessor</b></p>	<p>14.1 The Lessor must handover the unit as per the clause 9.1.</p> <p>14.2 The Lessor Must provide comments to the drawings within 14 (fourteen) days of submission of the drawings</p> <p>14.3 The Lessor should provide all the required information requested by the Developer, without unreasonably withholding or delaying the information. HDC shall not be held responsible for any delay caused which is beyond the control of HDC. Nevertheless, where possible, HDC shall make the best of efforts to minimize the delay.</p> <p>14.4 The Lessor will provide basic crockery, glass wares, and cutleries to use in the HDC canteen.</p>
<p>15.</p>	<p><b>Termination</b></p>	<p>16.1 Lessor may serve 30 (thirty) calendar days written notice to the Lessee to terminate the Agreement in the event the Lessee fails to pay the rent and/or penalty as per the terms of the Agreement for a period of 03 (three) consecutive months.</p> <p>16.2 The Lessor may terminate the Agreement without any compensation payable to the Lessee in the event the rent due</p>

		<p>and/or penalty remains unpaid at the end of 30 (thirty) calendar days written notice period.</p> <p>16.3 If the Lessee fails to perform any of its obligation under the Agreement, the Lessee shall be granted a period to rectify the breach along with a fine amount between MVR 5,000 (Maldivian Rufiyaa Five Thousand) and MVR 100,000 (Maldivian Rufiyaa One Hundred Thousand) considering the degree of the breach, to be determined by the sole discretion of the Lessor.</p> <p>16.4 If the Lessee fails to pay the fine and cure the breach within the extension period, the Lessor has the right to terminate the agreement and give the Lessee a duration of not less than 30 (thirty) calendar days to vacate the unit and handover the unit to the Lessor.</p> <p>16.5 The Lessor may terminate the agreement immediately without any prior written notice, if the Lessee fails to perform any of the fundamental obligations.</p> <p>16.6 The Lessor may terminate the Agreement by serving 06 (six) months' written notice upon the Lessee of its intention to do so for any reason whatsoever.</p> <p>16.7 The Lessee may terminate the Agreement by serving 06 (six) months' written notice upon the Lessor of its intention to do so for any reason whatsoever.</p> <p>16.8 If the Lessee fails to deliver quality service for the HDC canteen, the Lessor reserves the right to terminate the Agreement after issuing three written notices. The termination shall be communicated to the Lessee in writing.</p>
--	--	--

**DISCLAIMER:**

- **This contract terms only includes the key points of the agreement. The agreement is not limited to the clauses included in this contract terms.**
- **The proposal submitted by the successful Proponent shall be a part of the agreement.**

## SECTION VII. DRAWINGS AND GUIDELINES

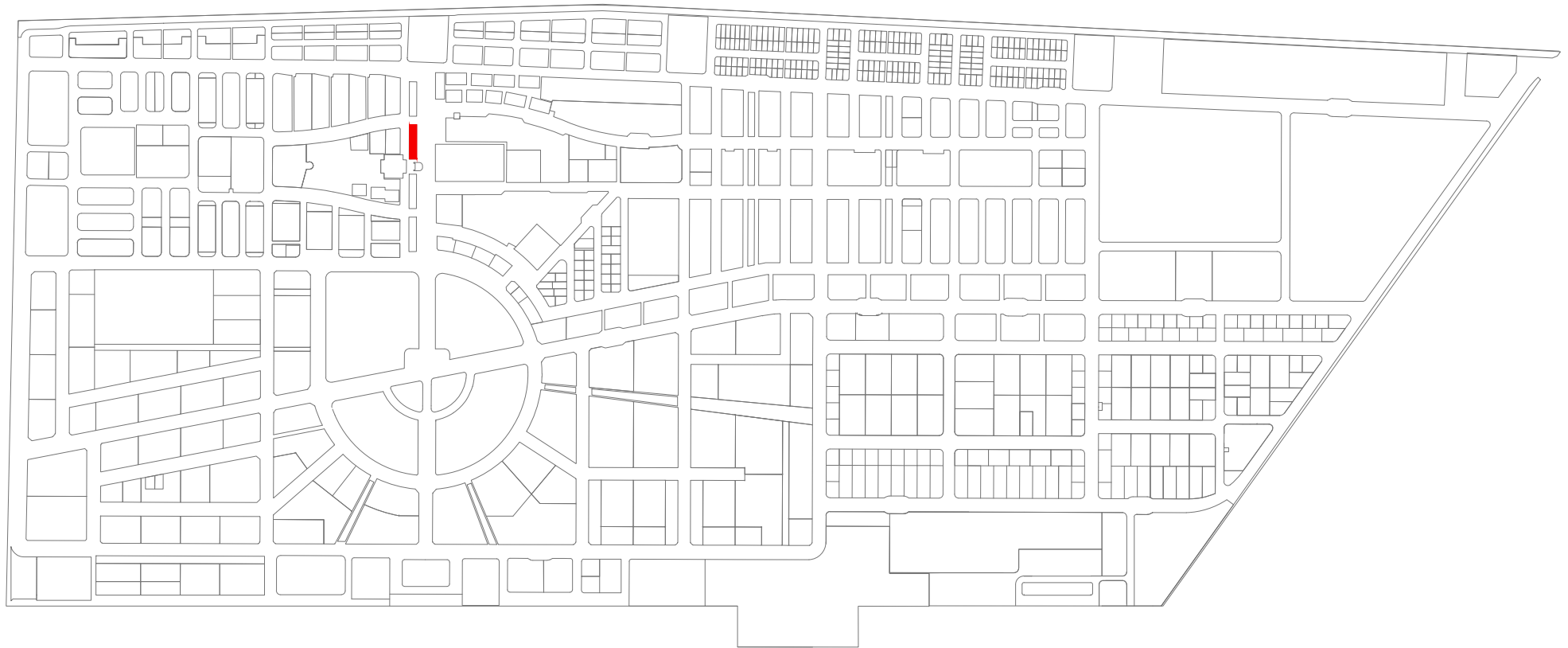
### 1. DRAWINGS

The drawing contains the location map and unit map of the unit to be allocated for the development.

\* Areas in the drawings is subjected to minimal changes.

(Refer to next page)

# PHASE 1



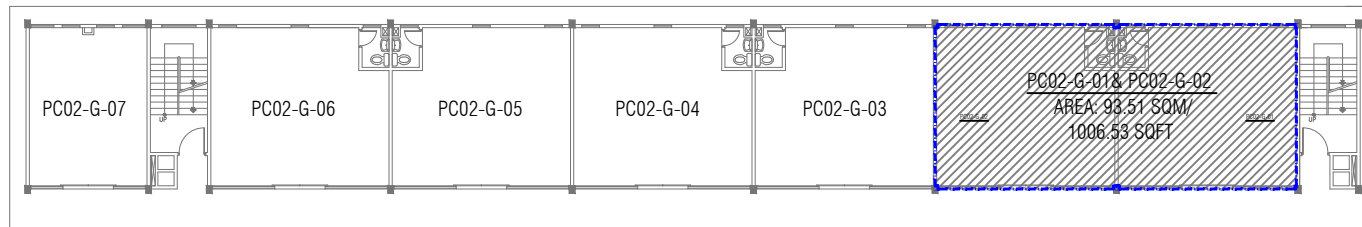
PROPERTY : COMMERCIAL BLOCK - B (LOT: 10240 )

NTS

PROPERTY : COMMERCIAL BLOCK - B (LOT: 10240 )		DRAWN BY : MOHAMED SHIYAAH	DATE : 22ND FEB 2024	REVISION NO. : R01	DATE : 05TH MAR 2024
DRAWING NAME : LOCATION MAP	SCALE: AS GIVEN,A4	CHECKED BY : AHMED MAHUDHEE		REVISED BY: HISHMA	



REAL ESTATE MANAGEMENT  
2ND FLOOR, CENTRO MALL, HULHUMALE'  
REPUBLIC OF MALDIVES  
TEL +9603353535, FAX +9603358892  
EMAIL : hello@hdc.mv



PROPERTY : COMMERCIAL BLOCK - B (LOT: 10240 )

PC02-G-01 & PC02-G-02(PREVIOUS UNIT NO.: B-G-01 / B-G-02)

AREA: 93.51 SQM/ 1006.53 SQFT

1:300

NOTE:



TOTAL UNIT BOUNDARY LINE

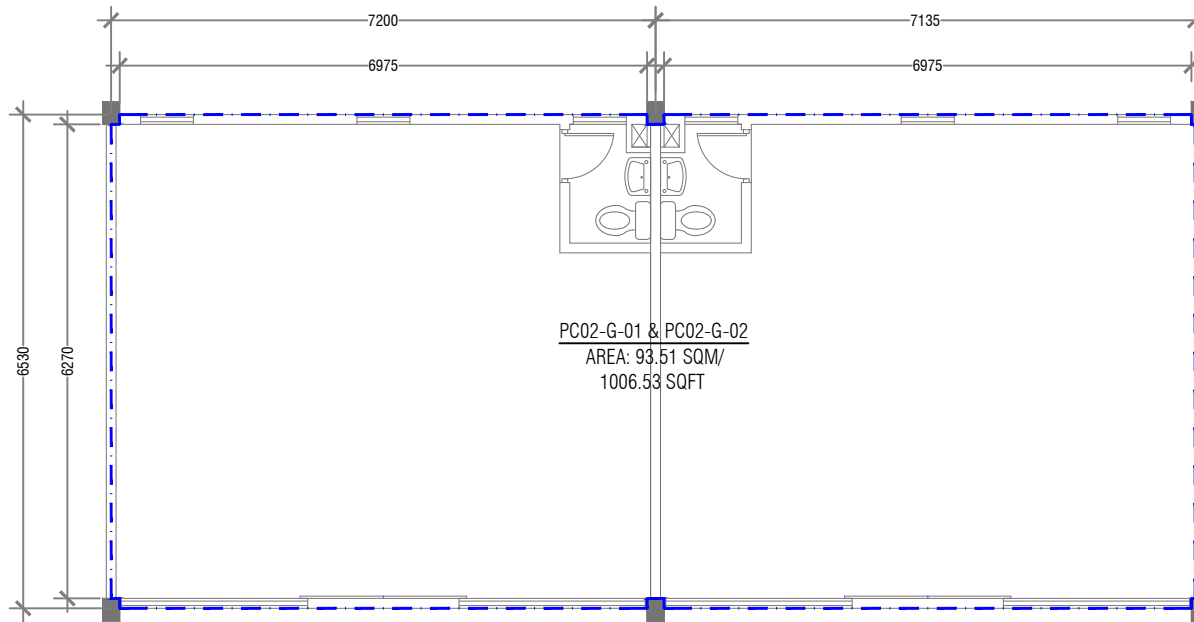
PROPERTY : COMMERCIAL BLOCK - B (LOT: 10240 )	
DRAWING NAME : GROUND FLOOR PLAN	SCALE: AS GIVEN,A4

DRAWN BY : MOHAMED SHIYAAH	DATE : 22ND FEB 2024
CHECKED BY : AHMED MAHUDHEE	

REVISION NO.: R01	DATE : 05TH MAR 2024
REVISED BY: HISHMA	



REAL ESTATE MANAGEMENT  
 2ND FLOOR, CENTRO MALL, HULHUMALE'  
 REPUBLIC OF MALDIVES  
 TEL: +9603353535, FAX: +9603358892  
 EMAIL: hello@hdc.mv



PROPERTY : COMMERCIAL BLOCK - B (LOT: 10240 )  
PC02-G-01 & PC02-G-02(PREVIOUS UNIT NO.: B-G-01 / B-G-02)  
 AREA: 93.51 SQM/ 1006.53 SQFT  
 1:100

NOTE:  
 - - - - - TOTAL UNIT BOUNDARY LINE

PROPERTY : COMMERCIAL BLOCK - B (LOT: 10240 )	
DRAWING NAME : UNIT LAYOUT	SCALE: AS GIVEN,A4

DRAWN BY : MOHAMED SHIYAAH	DATE : 22ND FEB 2024
CHECKED BY : AHMED MAHUDHEE	

REVISION NO.: R01	DATE : 05TH MAR 2024
REVISED BY: HISHMA	



REAL ESTATE MANAGEMENT  
 2ND FLOOR, CENTRO MALL, HULHUMALE'  
 REPUBLIC OF MALDIVES  
 TEL: +9603353535, FAX: +9603358892  
 EMAIL: hello@hdc.mv